

Instructions For Use

Congratulations! You are now ready to use your water heater. Run the hot water at a nearby sink and evaluate the hot water temperature. Make any temperature adjustment using the section below:

Setting the thermostat

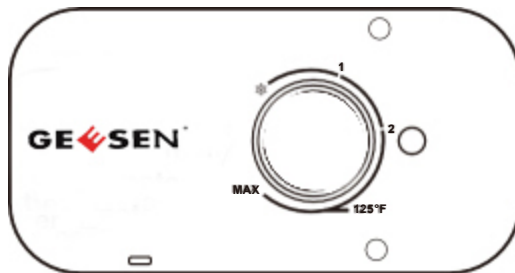
The water heater is equipped with an adjustable thermostat that once set will automatically control water temperature. The red indicator lamp remains illuminated while the water is being heated. If the water in the tank is at the desired temperature the lamp will not be illuminated.

The temperature adjusting knob will increase the temperature by turning the knob clockwise and decrease the water temperature by turning the knob counter clockwise.

When not being used for a lengthy period of time, you can conserve energy by reducing the water temperature setting.

Setting the freeze protection

When the water heater is not being used for an extended period of time and there is a risk of freezing, either unplug and drain the water heater or turn the thermostat knob to the snowflake position to guard against freezing. This position will keep the internal water temperature above the freezing point.



Maintenance Instructions

Do not attempt to repair this water heater yourself. Call a service person (plumber or electrician) for service assistance. Always unplug the power supply cord when the water is turned off or when servicing or draining the water heater.

Before calling for service, first confirm that the water heater is properly filled and that 120V/AC power has not been interrupted.

WARNING

Before servicing or cleaning the water heater, disconnect the power cord from the electrical outlet.

Note: Never plug in the power cord until the tank is completely full and water is flowing out of the hot water faucet.

Draining and removing the water heater

1. Unplug the water heater.
2. Open a hot water faucet to let hot water run out. Allow water to flow until water is no longer hot.
3. Turn off the cold-water supply to the water heater.
4. Close the hot water faucet.
5. Disconnect the water heater from both the hot and cold-water connections.
6. If possible siphon out remaining water.
7. Carefully detach the water heater from the wall.
8. Tilt the water heater to drain remaining water out of the heater.

Removing the heating element

1. Unplug water heater power cord and drain (see previous paragraph).
2. Remove cover.
3. Remove all the line wires from the heating element.
4. Unscrew the heating element retaining nuts.
5. Remove the element.

Descaling the heating element:

Scale deposits can affect the heating capability of the element. Heavy scale can even cause the element to burn out. The element can be descaled chemically or manually.



1. Remove the heating element (see previous paragraph).
2. To descale chemically, soak the heating element in white vinegar or other descaling solution and then rinse well with fresh water.
3. To descale manually, let element dry and then using a non-metallic brush similar to a tooth brush; brush the residue from the element. Avoid damaging the surface of the element.
4. Reinstall the element and gasket.
5. Refill tank with water before plug in the power cord.

Replacing the heating element

1. Unplug and drain the water heater (see page 1).
2. Remove heating element noting original positions of all connections.
3. Install new element with gasket making sure the new element and gasket are positioned correctly.
4. Tighten retaining nuts and make the wire connections to their original locations.

Changing the thermostat

1. Unplug water heater power cord from the electrical outlet.
2. Drain and remove the water heater. (see page 1)
3. Remove the bottom panel of the water heater and remove the panel.
4. Remove thermostat knob and unscrew two retaining screws. It may be necessary to pry the knob off the thermostat spindle. Now remove front panel.
5. Disconnect the push-pull wire connectors on the thermostat noting which connector goes to which terminal. Terminals are marked.
6. Remove the thermostat probe from the well.
7. Install new thermostat, attach wires and tighten screws.

Resetting the high limit switch

For various reasons the high limit safety shut off switch will occasionally shut the water heater down. This shut down will occur when water temperatures exceed 140°F(60°C). Power is automatically turned off to the heating element. The shut off device may activate as a result of a power outage or an electrical storm.

Note: Do not attempt to reset the high limit switch without first allowing the water heater to cool down the high temperature water inside the heater.

WARNING

Do not tamper with the reset button to override overheating shut down.

1. Unplug water heater power cord from the electrical outlet.
2. Drain and remove the water heater. (see page 1)
3. Remove six screws retaining the bottom panel of the water heater and remove the panel. Locate the high limit reset button.
4. Depress the small red button in the center of the junction box, replace the bottom panel and place the water heater back into service.
- 5.

Note: A lower temperature setting saves energy and reduces the risk of scalding.

CAUTION

Call a technician if the high limit needs to be reset frequently.

Troubleshooting

Problem: Water does not get hot

1. Make sure the power supply is on and working.
2. If light does not turn on, check that the reset button is pushed in; follow steps from previous section.
3. If the indicator light is illuminated, but water temperature does not get hot at the sink, test for a plumbing cross over as follows; shut off cold water supply to water heater and open hot water tap. There should be no water flowing. Any continuous flow indicates a cross over which will affect the temperature and will need to be corrected.
4. If there is no crossover, then replace the heating element (see previous sections).

Problem: Indicator light not on

1. If the light does not turn on, but water gets hot, check for faulty bulb.
2. Check reset button; follow steps from previous section.



Problem: Water is too hot

1. Turn the temperature knob counter clockwise to a lower temperature setting. If temperature does not lower within 60 minutes, then replace thermostat.

Problem: Water is not hot enough

1. Under Instructions for Use, see “Setting the thermostat”.

Problem: Water is leaking

1. Unplug water heater power cord from the 120V/AC outlet.
2. Check water fittings and T&P fitting in the top of the tank.
3. Remove cover and inspect heating element gasket.

Geesen Mini Tank Water Heaters-Limited Three (3) Years Warranty Coverage

Geesen warrants this water heater to the Owner (hereinafter “Owner”) of the water heater at the original installation location against defects in material and workmanship for the periods specified below.

Warranty Period

1. When a failure of the inner tank of a Geesen mini tank water heater, installed in a single family, residential application and exposed to normal usage (not including recirculating applications), occurs within three (3) years from the date of the original installation and is supplied with potable water, deemed not to be hard water, and such failure is proven to be a result of a defect in material or workmanship or within one (1) year if used as part of a recirculating application or in a non-single family residential application, or with hard water, Geesen will furnish to such owner a new water heater of the then prevailing comparable model.

2. If any component part (other than the inner tank) is proven to be defective in material or workmanship within one (1) year from date of original installation in a single family, residential application used with potable water deemed not to be hard water or within one (1) year if used as part of a recirculating system, or with hard water, or if used in other than a single family residential dwelling, Geesen will furnish the Owner with a replacement of the defective part(s).
3. Verification of Date of Original Installation- When Owner can not verify or document the original date of installation, the warranty period begins on the date of manufacture marked on the tag affixed to the water heater.

Exclusions

1. This limited warranty shall be the exclusive warranty made by the Geesen and is made in lieu of all other warranties, expressed or implied (whether written or oral), including, but not limited to, warranties or merchantability and fitness for a particular purpose.
2. The Geesen shall not be liable for any incidental, consequential, special or contingent damages or expenses arising, directly or indirectly, from any defect in the water heater or the use of the water heater.
3. The Geesen shall not be liable for any water damage arising, directly or indirectly, from any defect in the water heater component part(s) or from its use.
4. Geesen shall not be liable under this warranty if:
 - a) The water heater or any of its component parts has been subject to excessive water pressure, misuse, abuse, alteration, neglect or accident, or
 - b) The water heater has not been installed in accordance with the applicable local plumbing, electrical and/ or building code(s) and/or regulation(s), or
 - c) The water heater has not been installed in accordance with the printed Geesen 's instructions, or
 - d) The water heater is not continuously supplied with potable water, otherwise described as dry firing
 - e) The water heater is exposed to conditions resulting from floods, earthquakes, winds, fire, lightning or circumstances beyond the control of the Geesen
 - f) The water heater is installed by non-qualified personnel.
5. The owner and not the Geesen nor his agent/representative shall be liable for and shall pay for all field charges for labor or other expenses incurred in the removal and/or repair of the water heater or any expense incurred by the Owner in order to repair the water heater.



Some states do not allow the exclusion or limitation of incidental or consequential damages, so the above limitation or exclusion may not apply to you. This warranty gives you specific legal rights and you may also have other rights which may vary from state to state.

IMPORTANT

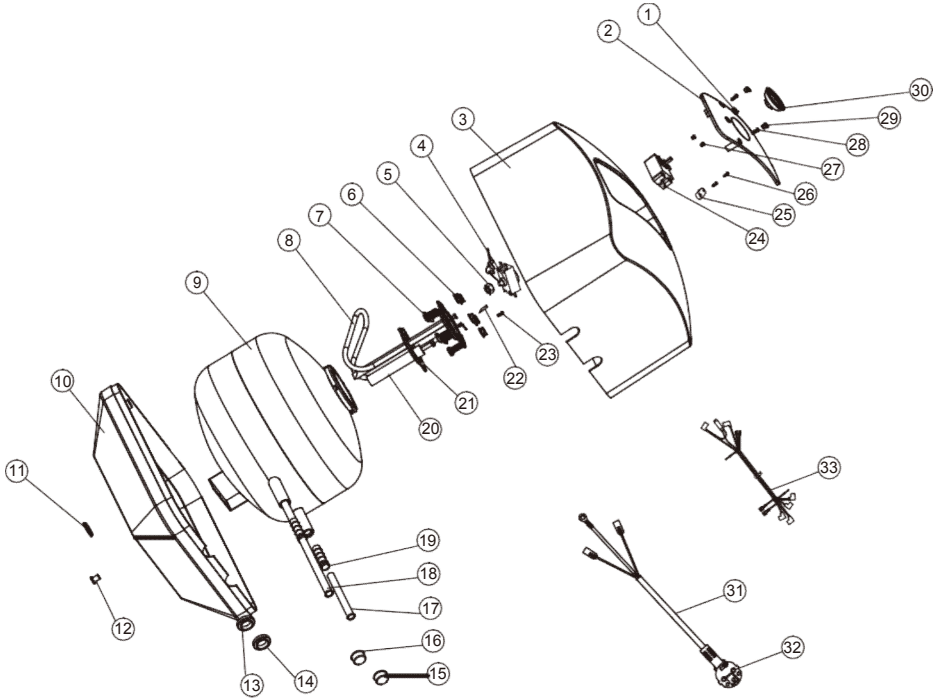
Owner should retain this document.

Note: Most tank water heaters eventually leak. Your Geesen water heater should be installed in such a manner that if it should leak, the resulting flow of water will not cause damage to the area in which it is installed.

How the owner can secure service assistance or make a warranty claim

1. Owner should contact the dealer who sold the water heater covered by this warranty or
2. Owner should submit the warranty claim directly to Geesen at the address listed below, and they will arrange for the handling of the claim.
3. Whenever a warranty service request is made, be sure to include Proof of Purchase, the water heater model number and the date of manufacture, date of installation, Dealer's name and the watts and voltage.
4. When returning the water heater or component part(s), they must be individually tagged and definite with Returned Goods Authorization # issued by Geesen and shipped prepaid to Geesen at the address below.

Schematic Disassembly & Parts List

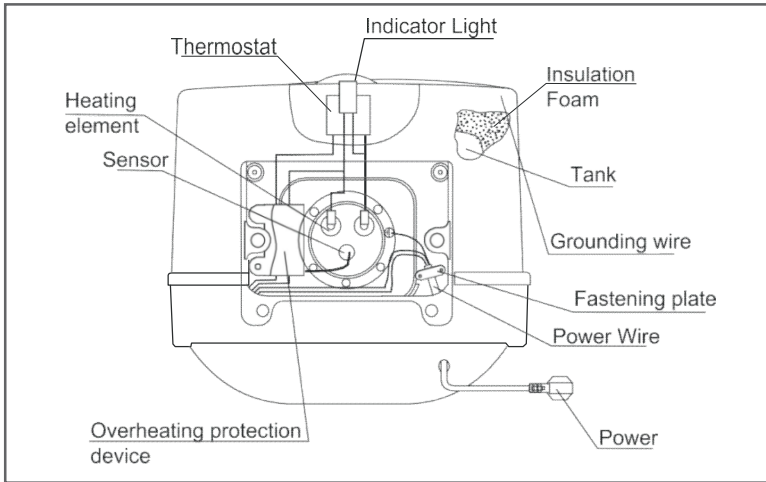


	Spare parts	QTY
1	Power indicate light	1
2	Panel	2
3	Front cover	1
4	Thermal cut-out	1
5	Panel fix screw	2
6	Flange nut	5
7	T shape screw	5
8	Heating element	1
9	Tank component	1
10	Back cover	1
11	Injection hole cover	1
12	Rivet	1
13	Red pipe circle	1
14	Blue pipe circle	1
15	Blue protect cover	1
16	Red protect cover	1
17	Water inlet pipe	1

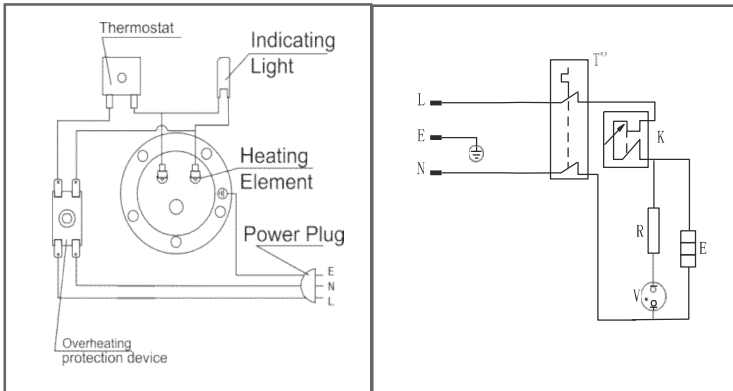
	Spare parts	QTY
18	Water outlet pipe	1
19	Plastic sleeve	2
20	Magnesium anode	1
21	Heating element	1
22	Rubber stopper	1
23	Cross screw	1
24	Thermostat	1
25	Power cord press plate	1
26	Fix screw	2
27	Fix screw	2
28	Fix screw	2
29	Screw cover	2
30	Thermostat button	1
31	Power cord	1
32	Power plug	1
33	Inside connect wire	1



Schematic Construction



Wiring Diagram





1 (844) 334-4200

www.geesentech.com